

HappyJapan

日本制

New!

# HCU Series 系列

Heavy-Duty Industrial High-Speed Embroidery Machine

## 重型高速绣花机

1,500 RPM Maximum Speed

高速1500转速

W600xH400mm Large Embroidery Field

特大刺绣面积 W600XH400

W44xH45mm Compact Cylinder Bed

超细筒形旋梭座 W44XH45mm



标准型

Standard Type

HCU-1501-40, HCU-X1501-40

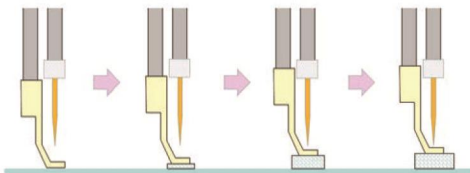
中置式+字激光位置显示器

Center Cross Laser Marker Type

HCU-1401-40, HCU-X1401-40

### New Features 新功能

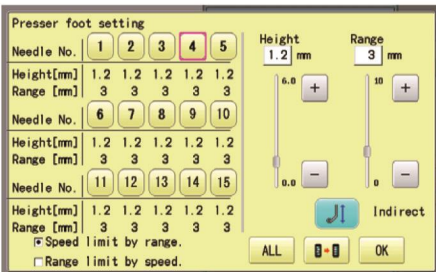
#### Automatic Material Thickness Detection System 物料自动感应系统



An Automatic Material Thickness Detection System is new standard function. This new function can suppress foot thumps much less than ever because HCU automatically senses a thickness of a material cloth and can adjust by itself.

物料自动感应系统会自动感应刺绣物料厚薄高度,自行调整压脚高度及下压力,减少压脚给予物料的影响。

#### Digital Controlling System 压脚电子控制系统

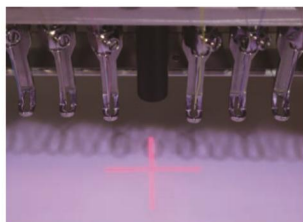


HCU's digital controlling system uses a pressure foot enabling a height adjustment by the touch control panel. HCU's individual driving system for foot movements makes it possible to keep the foot staying at the best point to hold a material as much as it ideally is, which resulting in better finishing quality.

HCU拥有电子脚压高度控制系统,可以独立调控个别压脚高度,根据不同物料给予物料最完美压布需求。

得到最完美刺绣效果

## FACTORY OPTIONS



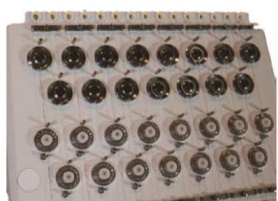
Center Cross Marker  
中置十字激光位置器



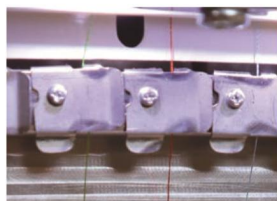
Side Mounted Laser Pointer  
侧点位置显示位置



10" LCD Panel  
10 "LCD 显示器



Digital Tension Control  
电子张力调线台



Upper Thread Holder  
面线夹持



Built-in Bobbin Winder  
内置打底线器

## OPTION ACCESSORIES



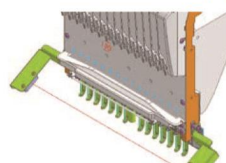
前台面  
Front table



加大前台面  
Border Table



Various Frames  
不同类型绣框



Safety Sensor  
安全感应器



Border Frame  
平绣铝外框

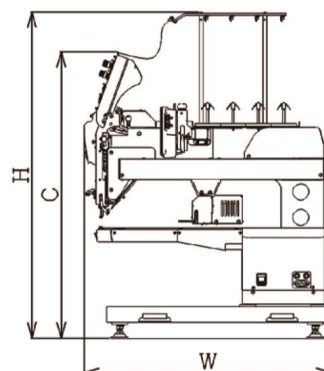
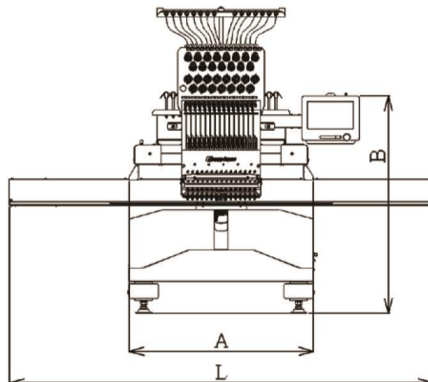
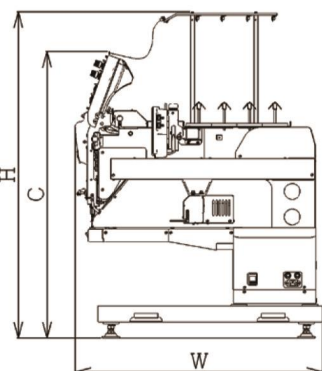
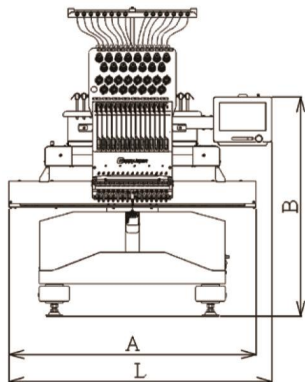


机器支架  
Assembly Type Machine Stand

## Specifications 规格

MODEL 型号	Head 头数	Needles 针数	Embroidery Area (D×W) 刺绣区域(D×W)			Maximum speed (r.p.m.) 最高速度 (r.p.m)	Stitch Length 线圈长度	Memory 内存
			Maximum 最大 400×600mm	Wide Cap Frame 宽帽 80×360mm	Low-profile Cap Frame 半帽 70×180mm			
HCU-1501-40	1	15	400×600mm	80×360mm	70×180mm	1,500	0.1-12.7mm	40,000,000 stiches 999 patterns
HCU-X1501-40			400×1200mm			1,200		

MODEL 型号	Power Supply 电压	Power Consumption 功率	Frequency 频率	Weight 重量	Dimensions 尺寸						
					L	W	H	A	B	C	
HCU-1501-40	Single Phase 110-115V 200-230V	200W	50/60Hz	99kg 218lbs	874	781	1,023	822	726	899	(mm)
					34	31	40	32	29	35	(inch)
HCU-X1501-40				102kg 225lbs	1,422	781	1,023	617	726	899	(mm)
					56	31	40	24	29	35	(inch)



Manufactured by :

**HappyJapan**

HappyJapan Inc.

TOKYO OFFICE 2-9-5, Taito, Taito-ku, Tokyo, Japan  
phone: +81-3-3834-0718 fax: +81-3-3835-8917  
E-mail: emb-info@happyjpn.com  
http://www.happyjpn.com

Distributed by :



中国总代理

**HappyJapan**

东莞诚达绣印数码科技有限公司

广东省东莞市石龙镇江南西路80-90号中科信息港426室  
电话: 0086-769-81203303  
手机: 13802287710  
网址: www.happyjapan.cn