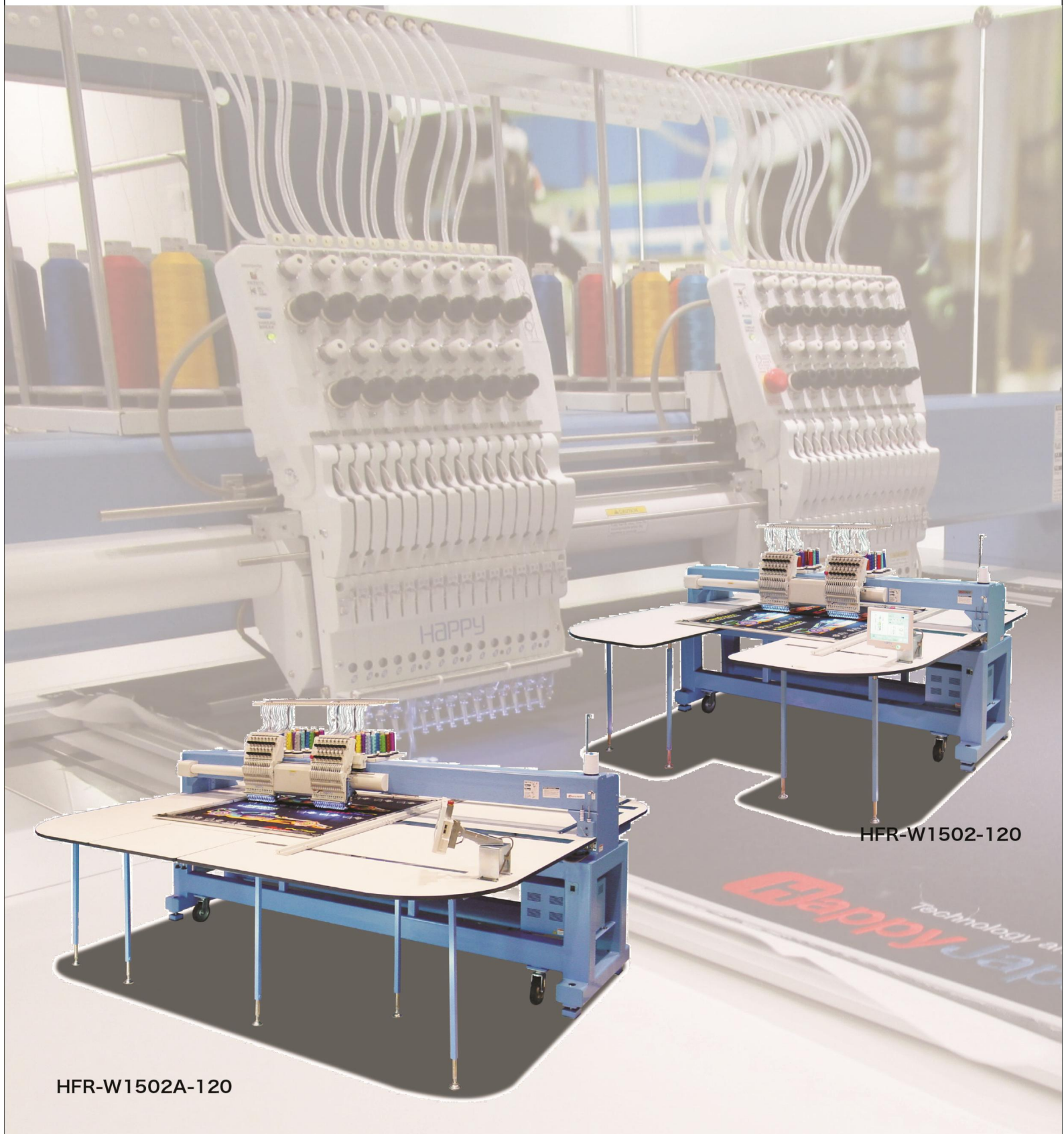


HFR-W 系列

大面幅电脑绣花机

Technology and Beyond
HappyJapan

日本制



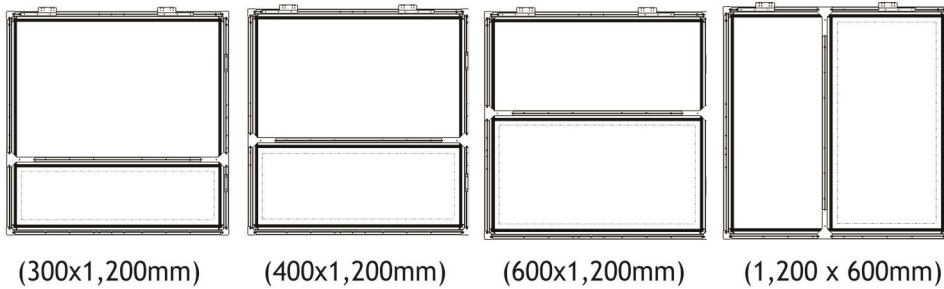
HFR-W1502A-120

HFR-W1502-120

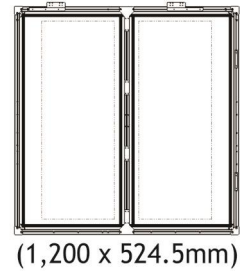
HappyJapan

选购件

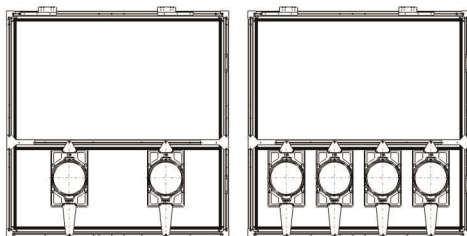
单边绣框 铝外框使用



双边绣框 铝外框使用



单边绣框 圆框使用



Other options

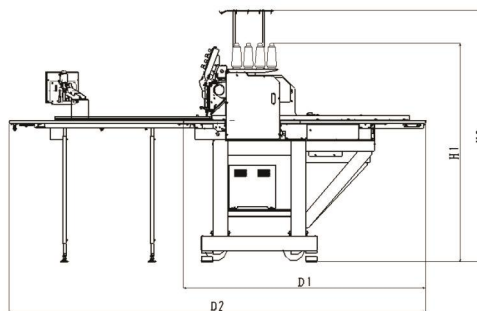
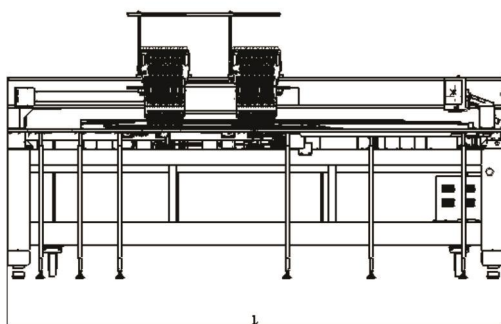
- 10.4inch Color LCD Touch Screen Control Panel
- Clip-Type Upper Thread Holder
- Bobbin Thread Winder
- Laser Position Marker
- Front Safety Sensor(Needle Sensor)
- Borer Device
- Sequin Device
- ZigZag Cording Device

其他选购件

- 10.4英寸彩色液晶触摸屏控制面板
- 面线夹持
- 打底绣机
- 激光位置显示器
- 安全感应器(防止针打到外来物)
- 雕孔装置
- 亮片装置
- 绳绣装置

HFR Series Specifications 规格

Model 型号	Head 机头	Needles 针数	Embroidery area(mm:YxX) 刺绣面积(mm:YxX)		Max.Speed(r.p.m.) 最高转速(r.p.m)	
			Standard 平绣	Alternate 隔头绣	Standard 平绣	Alternate 隔头绣
HFR-W1502-120	2	15	600x1,200	—	1,200	—
HFR-W1502A-120	2	15	600x1,200	1,200x1,200	1,200	1,100



Machine size(mm) 机台尺寸 (mm)	
L (W1502)	2,660
L (W1502A)	3,265
D1	1,660
D2	2,850
H1	1,520
H2	1,750

● Embroidery area may be limited by hoops to be used. ● Specifications are subject to change without notice. ● Maximum speed may change by sewing conditions.

HappyJapan

HappyJapan Inc.

2-9-5 Taito, Taito-ku, Tokyo,
110-0016 JAPAN

Tel: +81-3-3834-0718
Fax: +81-3-3835-8917
E-mail: emb-info@happyjpn.com
http://www.happyjpn.com

Distributed by:



中国总代理
HappyJapan

东莞诚达绣印数码科技有限公司

广东省东莞市石龙镇江南西路80-90号中科信息港426室

电话: 0086-769-81203303

手机: 13802287710

网址: www.happyjapan.cn